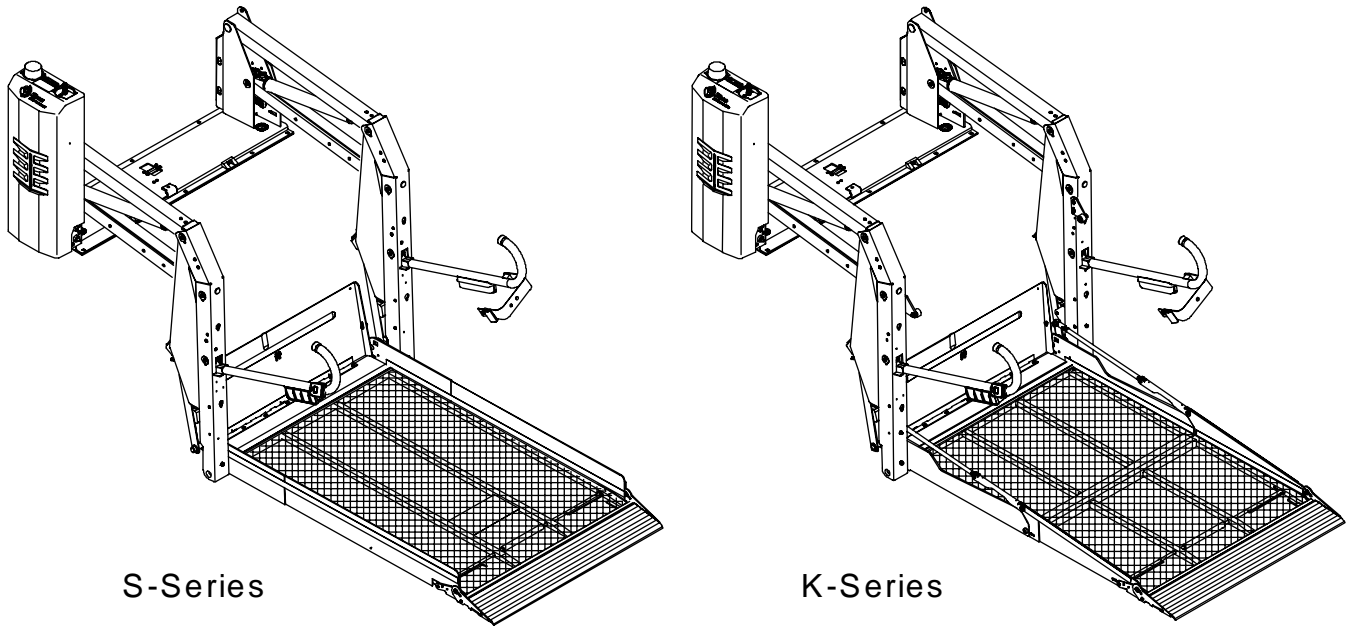


**IV. S/K-SERIES PUBLIC USE SPARE PARTS**

This chapter contains spare parts diagrams and lists for the RICON S-Series and K-Series Public Use wheelchair lifts. The part diagrams are exploded views of each major lift assembly, with individual parts and components referenced by numbers. Each accompanying parts list contains figure item numbers, part descriptions, quantities used, configurations and the Ricon part number. To order parts, locate part on an appropriate diagram and note the figure item number. Find the figure item number on the accompanying parts list and use the part number in the far right column. Note that parts identified with (REF) in the QTY column of the spare parts list are for reference purposes only and are not sold for spare parts. Refer to the DECAL LOCATIONS AND PART NUMBERS figure in **Chapter II** for decal part numbers.

**NOTE:** Most kits contain a single part (plus hardware). Therefore, you may need to order more than one kit if the part is used more than once on a major assembly.



LIFT MODEL AND KIT NUMBERS	
PRODUCT NUMBER	S2010-L1120401E (first model in number sequence)
DOCUMENTATION KIT NUMBER	36927
SPARE DECAL KIT NUMBER	36955( S-Series) 36928 (K-Series)

PARTS DIAGRAM .....	PAGE
FIGURE 4-1.1: S-SERIES DOT PUBLIC USE DECALS .....	4-2
FIGURE 4-1.2: K-SERIES DOT PUBLIC USE DECALS .....	4-3
FIGURE 4-2: S/K-SERIES DOT PUBLIC USE PENDANT .....	4-4
FIGURE 4-3: S/K-SERIES DOT PUBLIC USE PUMP ASSEMBLY .....	4-6
FIGURE 4-4: S/K-SERIES DOT PUBLIC USE HYDRAULIC ASSEMBLY .....	4-8
FIGURE 4-5: S/K-SERIES DOT PUBLIC USE ELECTRICAL ASSEMBLY .....	4-10
FIGURE 4-6.1: S -SERIES DOT PUBLIC USE TRAVELING FRAME .....	4-12
FIGURE 4-6.2: K -SERIES DOT PUBLIC USE TRAVELING FRAME .....	4-13
FIGURE 4-7.1: S-SERIES DOT PUBLIC USE PLATFORM ASSEMBLY .....	4-18
FIGURE 4-7.2: K-SERIES DOT PUBLIC USE PLATFORM ASSEMBLY .....	4-19
FIGURE 4-8: S/K-SERIES DOT PUBLIC USE HANDRAIL ASSEMBLY .....	4-22
<b>LIFT SPECIFICATIONS .....</b>	<b>4-25</b>

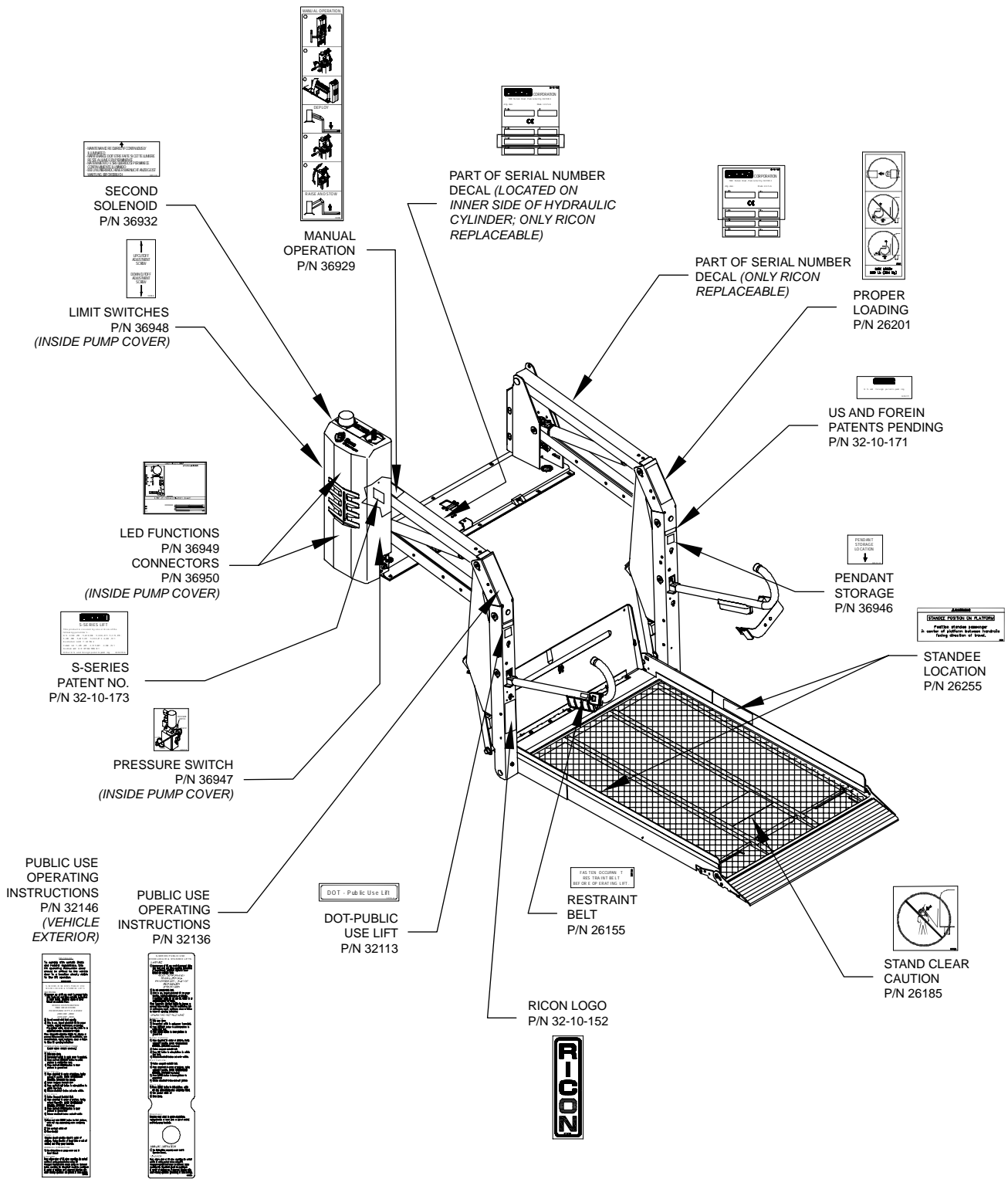


FIGURE 4-1.1: S-SERIES PUBLIC USE LIFT DECAL LOCATIONS AND PART NUMBERS

RSM0003700

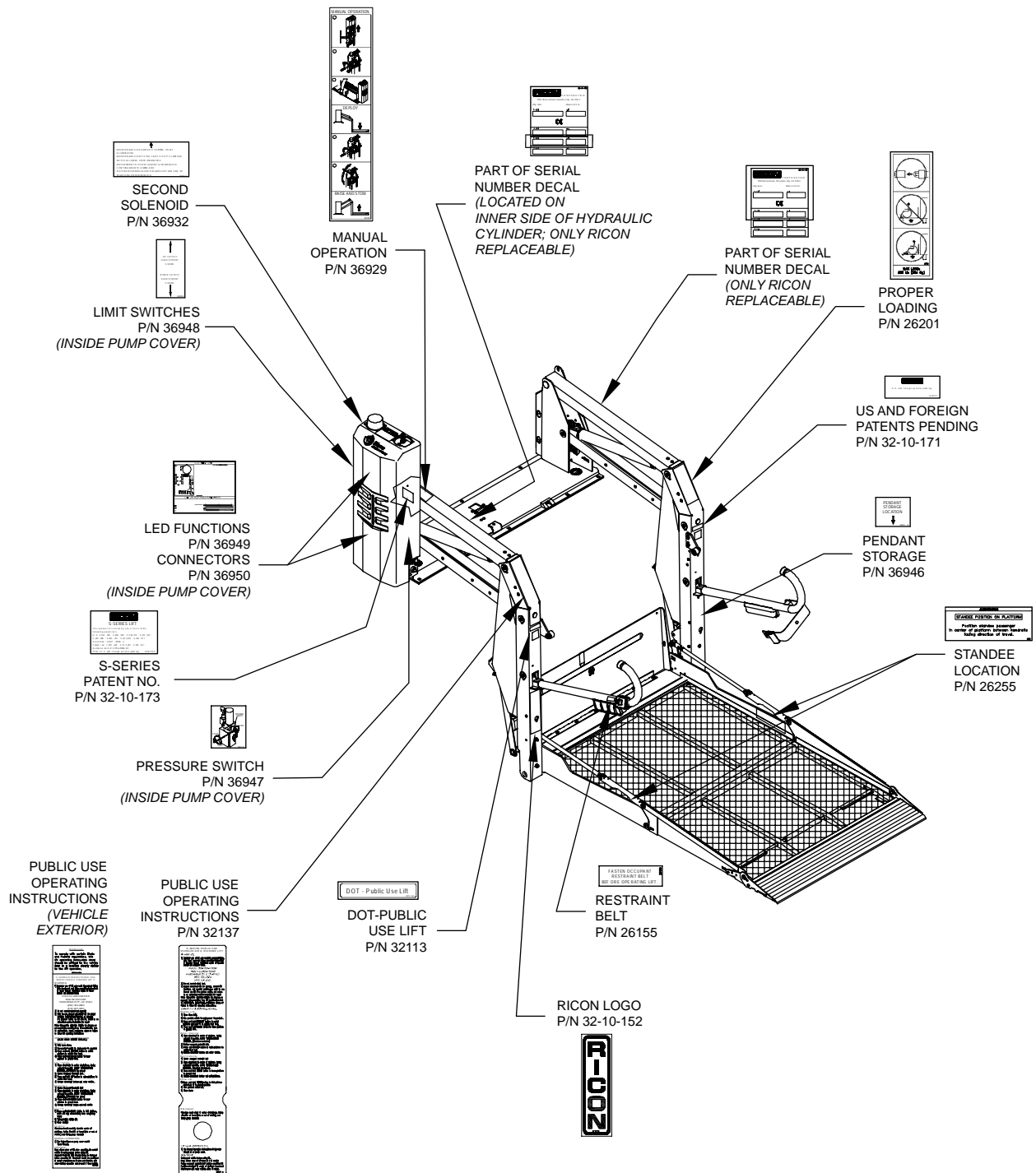


FIGURE 4-1.2: K-SERIES PUBLIC USE LIFT DECAL LOCATIONS AND PART NUMBERS

RSM0003800

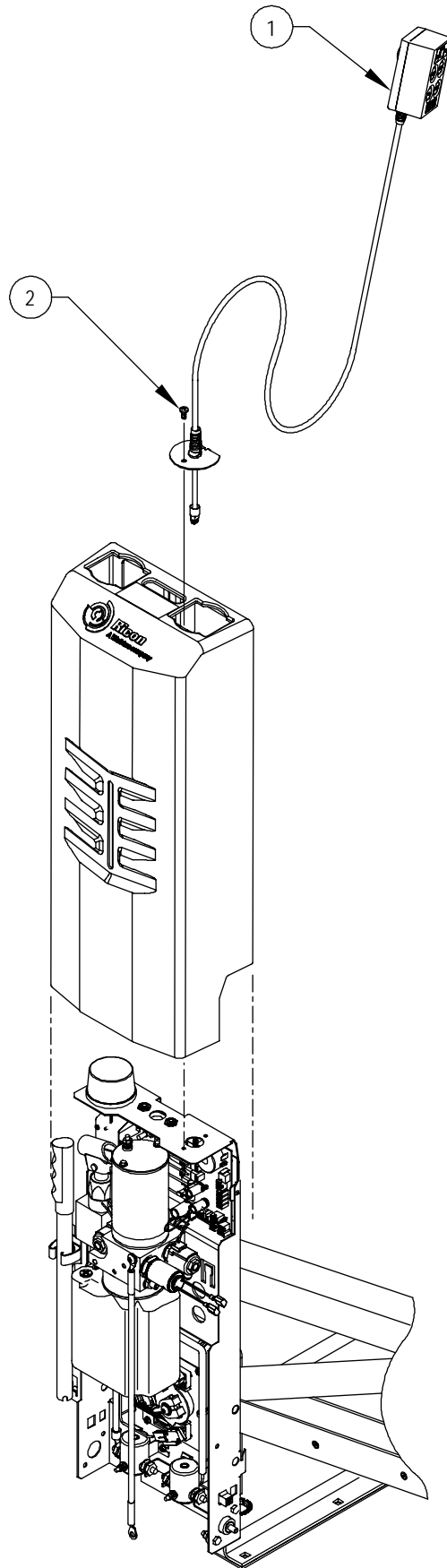


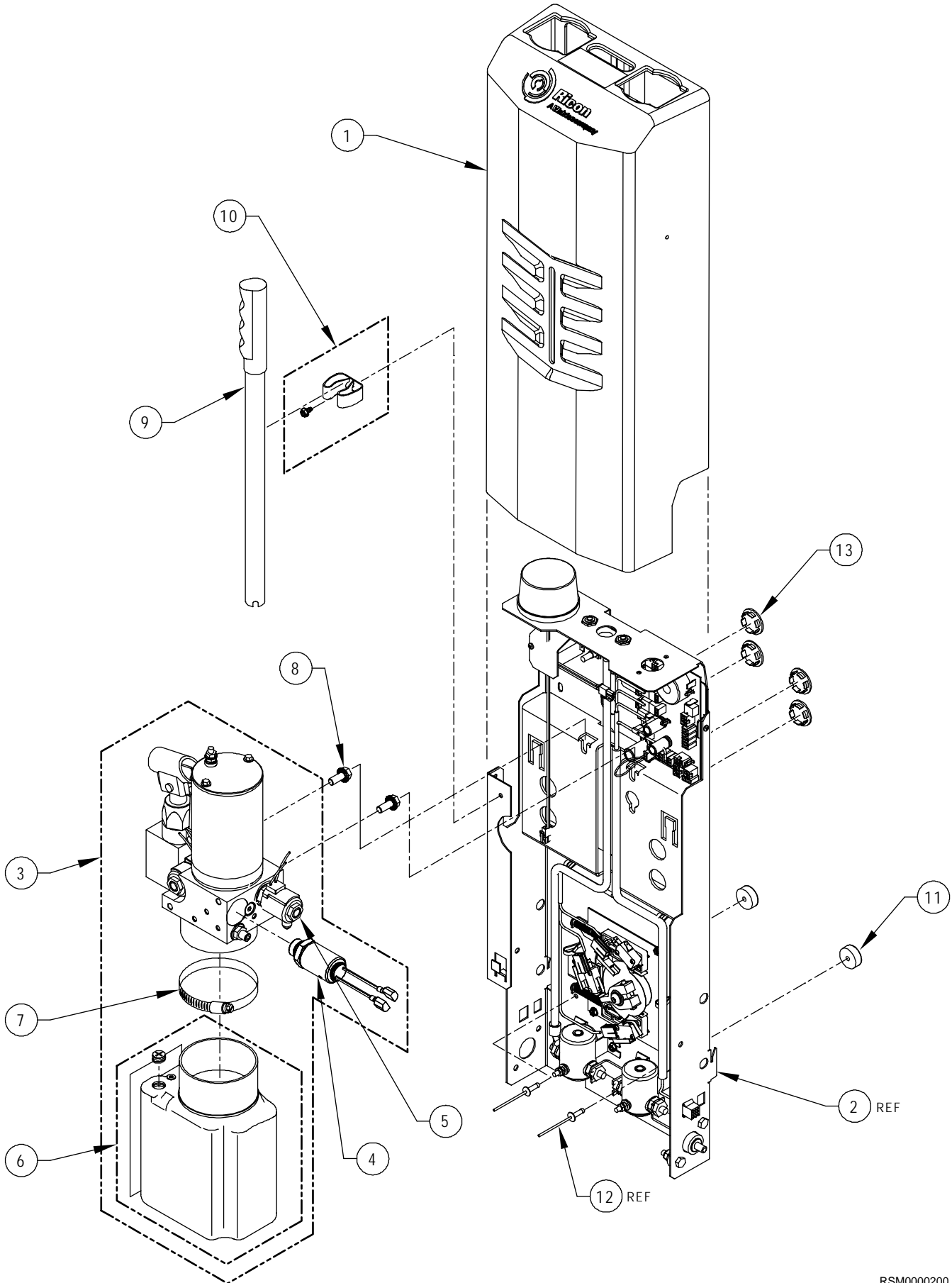
FIGURE 4-2: S/K-SERIES DOT PUBLIC USE PENDANT

RSM0000100

FIGURE 4-2: S/K-SERIES DOT PUBLIC USE PENDANT

FIG. ITEM	DESCRIPTION	QTY	CONFIG.	PART NO.
1	PENDANT ASSY, 7 FOOT CORD, MODULAR	1		37386
1A *	PENDANT ASSY, 12 FOOT COIL CORD, MODULAR	1		42510
	ATTACHING PARTS			
2	SCREW,PHP, 1/4-20,TAP TITE,BLK ZINC	1		37787

**NOTE:** \* Item or configuration not shown.



RSM0000200

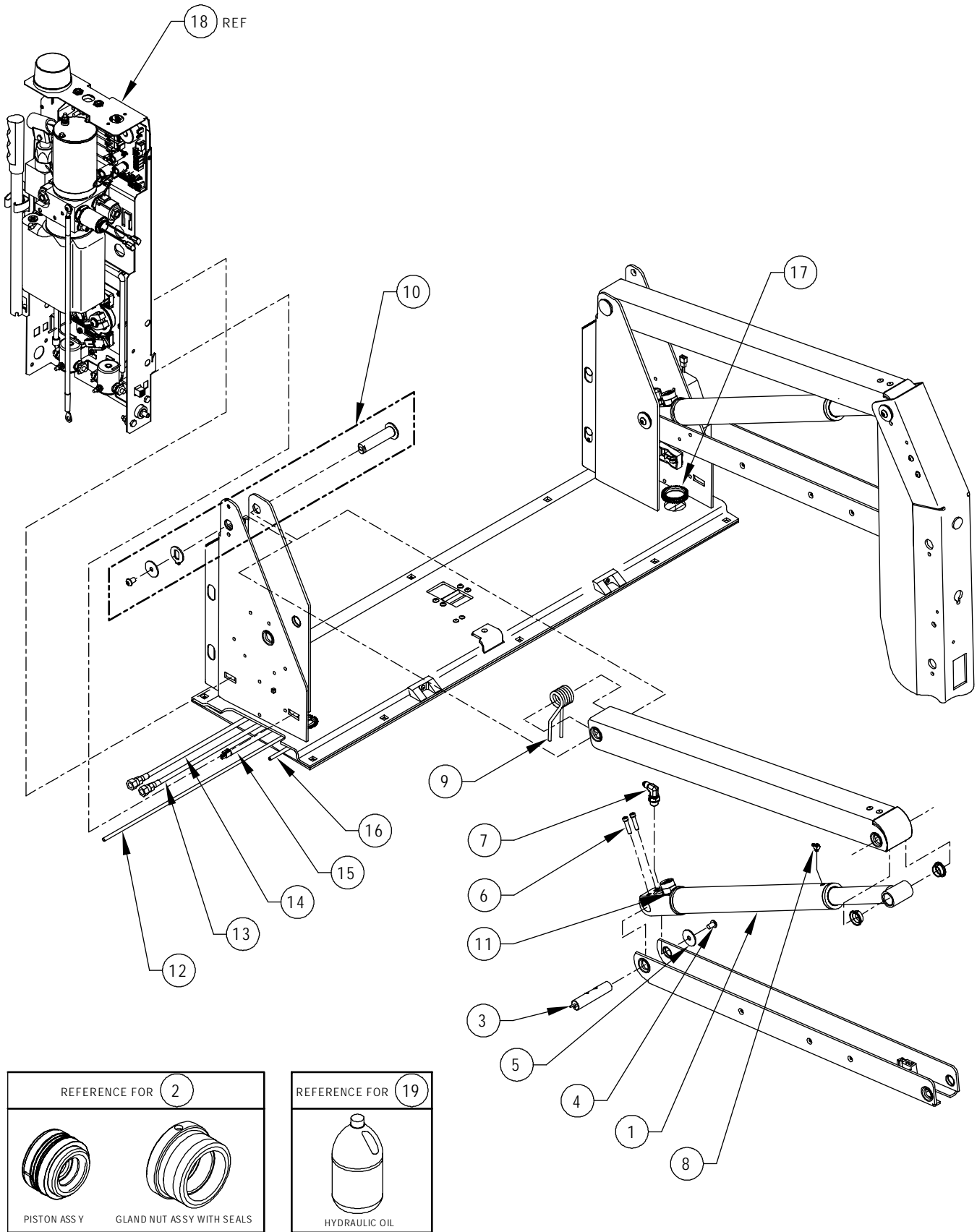
FIGURE 4-3: S/K-SERIES DOT PUBLIC USE PUMP ASSY (LEFT HAND SIDE PUMP SHOWN)

FIGURE 4-3: S/K-SERIES DOT PUBLIC USE PUMP ASSY

FIG. ITEM	DESCRIPTION	QTY	CONFIG.	PART NO.
1	COVER, PUMP, MODULAR	1		36585
2	BRACKET WLDT, PUMP CHASSIS ATTACHING PARTS	REF		36575
3	PUMP ASSY, 12V, MODULAR	1		PM212000008N
4	PRESSURE SWITCH, MODEL CJ	1		39399
5	VALVE ASSY, POPPET, DELTROL, 12V	1		V2-SH-105
6	RESERVOIR, PUMP, PLASTIC W/DECAL & PLUG	1		30938
7	CLAMP, RESERVOIR ATTACHING PARTS	1		V2-SH-109
8	SCREW, FLANGED, 5/16-18 X .75L, ZINC	2		37703
9	HANDLE ASSY,PUMP,MANUAL OPERATION ATTACHING PARTS	1		V2-SH-111
10	KIT, CLIP, TOOL, EMERGENCY, PAINTED	1		42033
11	BUMPER, CHASSIS ATTACHING PARTS	2		38388
12	RIVET, POP, 3/16 X 3/8 A/S ##AD66BS	REF		15918
13	PLUG,1"BLACK NYLON LOW PROFILE	4		25563

**NOTE:** (REF) in QTY column is for Referenced Parts Only and are not sold as spare parts.

**NOTE:** \* Item or configuration not shown.



RSM0000300

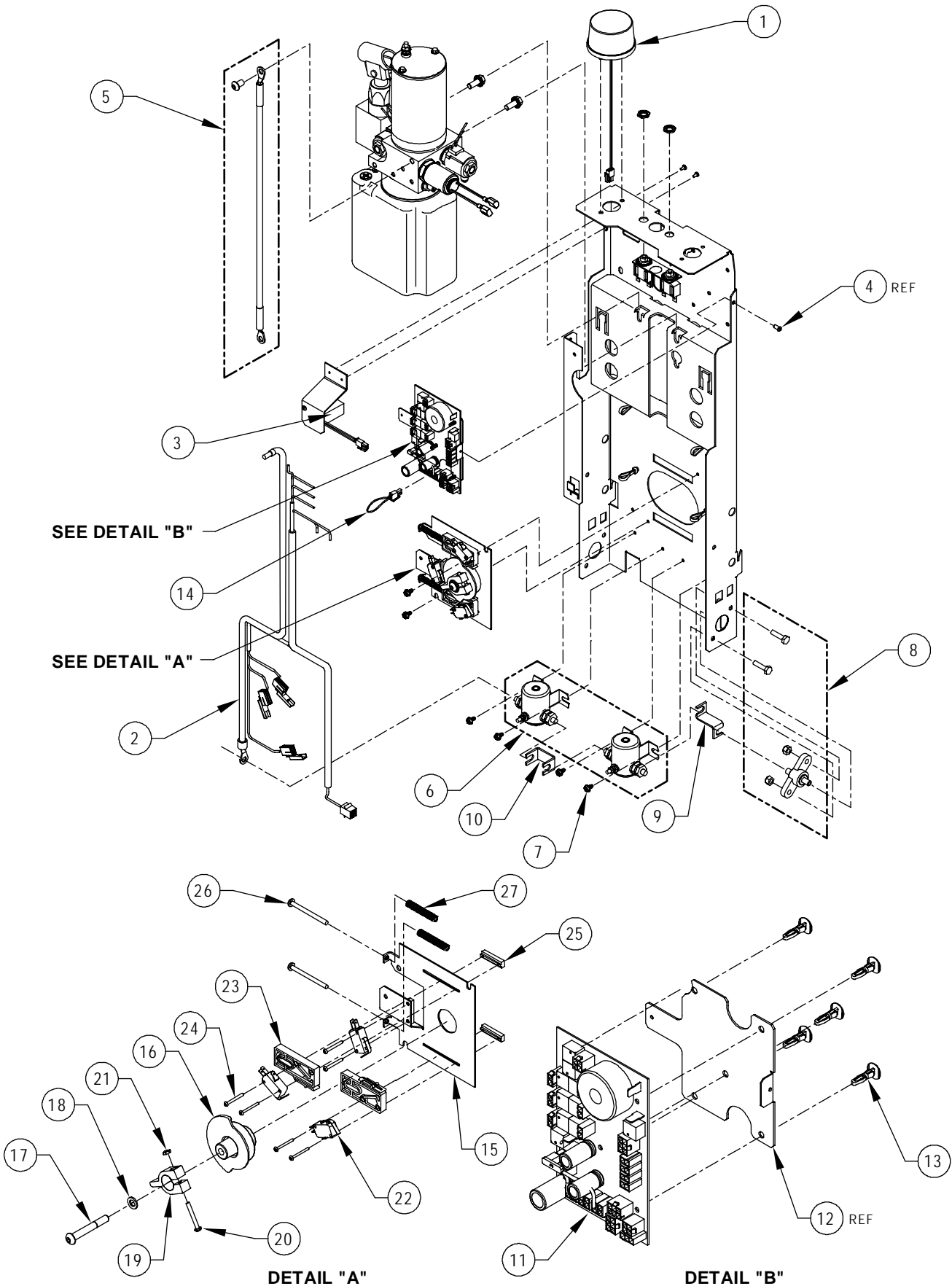
FIGURE 4-4: S/K -SERIES DOT PUBLIC USE HYDRAULIC SYSTEM

FIGURE 4-4: S/K-SERIES DOT PUBLIC USE HYDRAULIC ASSY

FIG. ITEM	DESCRIPTION	QTY	CONFIG.	PART NO.
1	CYLINDER ASSY	2	S/K20XX	35793
1A *	CYLINDER ASSY	2	S/K50XX	38728
1B *	CYLINDER ASSY	2	S/K55XX	38726
	ATTACHING PARTS			
2	KIT, CYLINDER REPAIR (PISTON AND GLAND NUT ASSY)	2		21829
3	PIN ASSY, PIVOT, CAM SIDE	2		37780
4	SCREW, SHC, 1/4-20 X 1, BLK (BAG OF 10)	1		14491
5	WASHER, FDR, .31 X 1.25 SST BLK OXIDE (BAG OF 10)	1		15921
6	PIN, CAM	2		V2-PI-097
7	FITTING, STE, 1/4J/9/16-18STL	2		V2-SH-14
8	FITTING, "L", MALE, M5, BARB	2		V2-SH-16
9	SPRING, TOP ARM	2		V2-SP-97
10	KIT, PIN, LINK, ARM W/HARDWARE	2		16679
11	KIT, FLOW CONTROL, FIXED RATE .50 GPM, (KIT OF 2)	1		30968
12	TUBE, POLY, 6MM OD X 4MM ID, 5.0'	1		20229
13	HOSE ASSY, HYD, 74" X 1/4 JIC X 1/4 JIC	1		37716
14	HOSE ASSY, HYD, 36" X 1/4 JIC X 1/4 JIC	1		UV-SH-013
15	HARNESS, STOW-LOC SOLENOID EXTENSION	1		37333
16	TUBE, POLY, 6MM OD X 4MM ID, 8.0'	1		20228
17	GROMMET, CATERPILLAR, 3/16 X 12" LONG	2		26647
18	CHASSIS ASSY, LH PUMP, 12V	REF	S/K20XX	37701
18A *	CHASSIS ASSY, RH PUMP, 12V	REF	S/K20XX	38374
19	OIL, HYDRAULIC, TEXACO #15, MEETS MIL-H-5606G	1	GAL	20-16-051

**NOTE:** (REF) in QTY column is for Referenced Parts Only and are not sold as spare parts.

**NOTE:** \* Item or configuration not shown.



RSM0000400

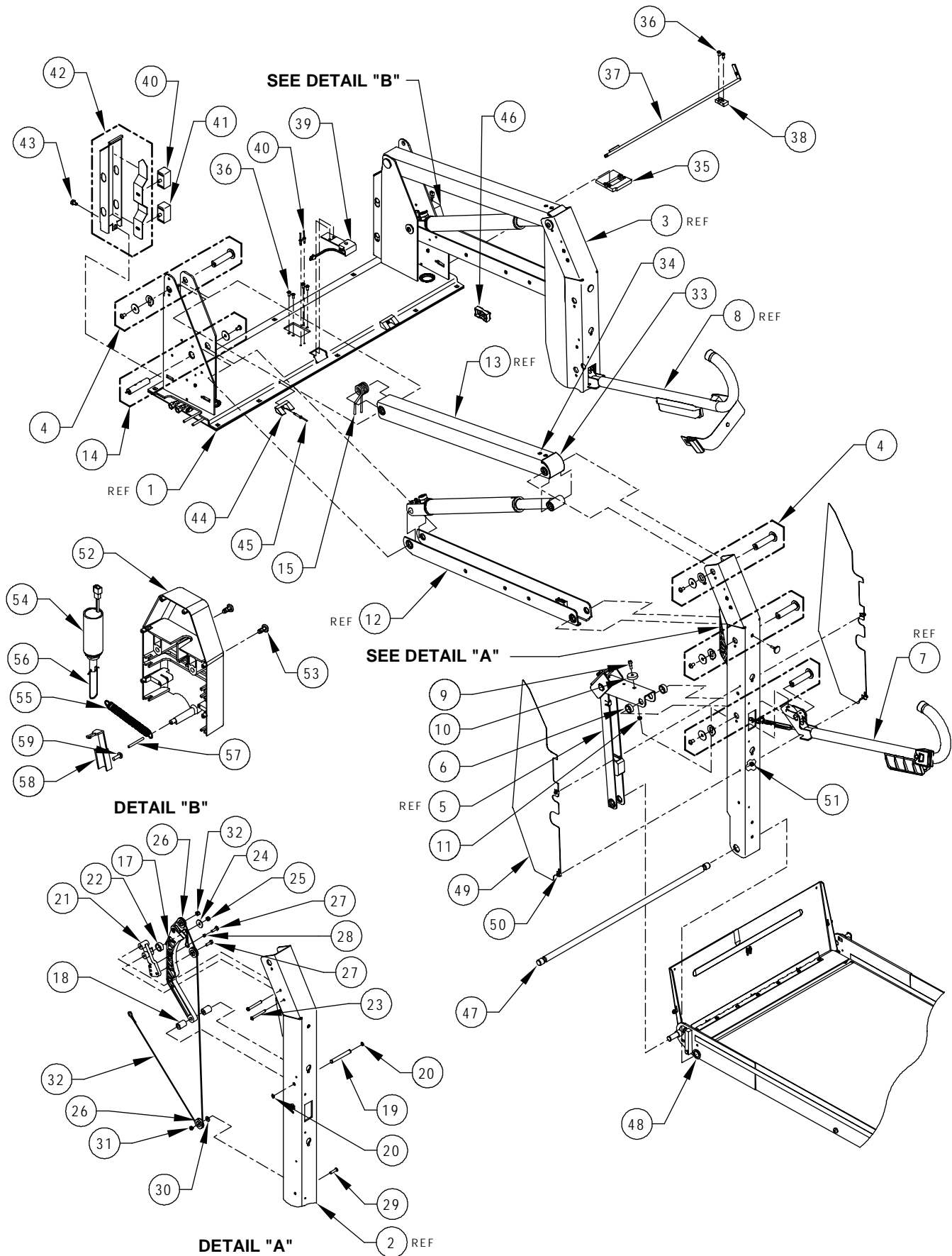
FIGURE 4-5: S/K-SERIES DOT PUBLIC USE ELECTRICAL SYSTEM

**FIGURE 4-5: S/K-SERIES DOT PUBLIC USE ELECTRICAL ASSY**

FIG. ITEM	DESCRIPTION	QTY	CONFIG.	PART NO.
1	LIGHT ASSY, RED W/CONNECTORS	1		37319
2	HARNESS, PUMP CHASSIS, 12V	2		37377
3	COUNTER ASSY, 12V, MODULAR ATTACHING PARTS	1		38391
4	SCREW, PHP, 6-32 X 1/4, TYPE F, SST	REF		21953
5	KIT, GROUND STRAP, LONG	1		37388
6	KIT, SOLENOID, 12V, SGL POLE, SGL THROW ATTACHING PARTS	1		29297
7	SCREW, HEX, 10-24 X 3/8, QUICK-DRIVE	2		37702
8	KIT, BLOCK, POSITIVE CONNECTION, MODULAR	1		35454
9	BUSBAR, MAIN	1		36592
10	BUSBAR, 1.45" W	1		37767
11	PCB ASSY, W/LEDS	1		35792
12	BRACKET, PCB MOUNT, MODULAR	REF		37785
13	PCB STANDOFFS (BAG OF 5)	1		42034
14	JUMPER TWS	1		37379
15	SWITCH ASSY, POSITION INPUT	1		37711
16	CAM, POSITION INPUT ATTACHING PARTS	1		36584
17	SCREW, BHS, 5/16-18 X 2 1/4 BLK	1		282294
18	WASHER, FLT, .325 X .563 X .065	1		28286
19	ACTUATOR, FOLD CUTOFF ATTACHING PARTS	1		V2-AC-089
20	SCREW, PHP, 8-32 X 1/4	1		28274
21	NUT, ESN 8-32	1		28303
22	SWITCH, LIMIT, UPPER/LOWER, (MODIFIED)	3		V2-ES-110
23	SWITCH BLOCK ATTACHING PARTS	2		31314
24	SCREW, PHP, 4AB X 1.00, ZINC (BAG OF 10)	1		42035
25	BLOCK, SWITCH MOUNT	2		36578
26	SCREW, PHP, 10-24 X 2 1/4	2		10860
27	SPRING, ADJUSTABLE LIMIT SWITCH	2		V2-ES-93
28 *	KIT, CIRCUIT BREAKER, MAIN (90A)	1		01010K

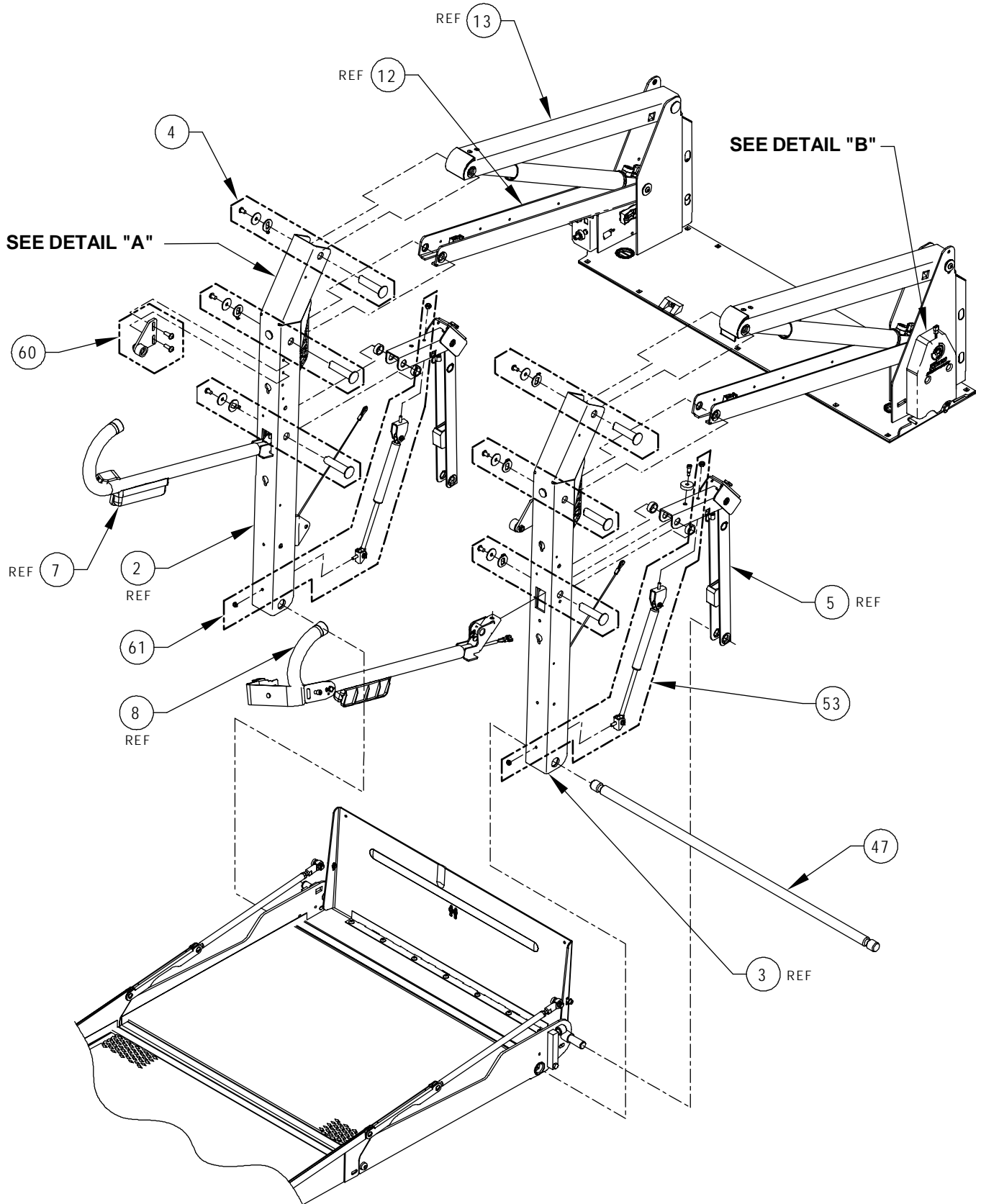
**NOTE:** (REF) in QTY column is for Referenced Parts Only and are not sold as spare parts.

**NOTE:** \* Item or configuration not shown.



RSM0000500

FIGURE 4-6.1: S-SERIES DOT PUBLIC USE TRAVELING FRAME



RSM0007000

FIGURE 4-6.2: K-SERIES DOT PUBLIC USE TRAVELING FRAME

This page intentionally left blank.

**FIGURE 4-6: S/K-SERIES DOT PUBLIC USE TRAVELING FRAME ASSY**

FIG. ITEM	DESCRIPTION	QTY	CONFIG.	PART NO.
1	BASEPLATE WLDT, 34" PLATFORM	REF		35772
2	VERTICAL ARM ASSY, LH, S20XX, MOD SERIES	REF	S20XX	38797
2A *	VERTICAL ARM ASSY, LH, S50XX SERIES	REF	S50XX	37747
2B *	VERTICAL ARM ASSY, LH, S55XX SERIES	REF	S55XX	39912
2C	VERTICAL ARM ASSY, LH, GREY	REF	K20XX	38785
3	VERTICAL ARM ASSY, RH, S20XX, MOD SERIES	REF	S20XX	38798
3A *	VERTICAL ARM ASSY, RH, S50XX SERIES	REF	S50XX	37746
3B *	VERTICAL ARM ASSY, RH, S55XX SERIES	REF	S55XX	39911
3C	VERTICAL ARM ASSY, RH, K2003 SERIES	REF	K20XX	38786
4	KIT, PIN, LINK, ARM W/HARDWARE	1		16679
5	KNUCKLE ASSY	REF		37724
6	SPACER	4		VT-BU-42
7	HANDRAIL ASSY, LH W/BUCKLE	REF		37723
8	HANDRAIL ASSY, RH W/BELT	REF		37979
	ATTACHING PARTS			
9	SCREW, 5/16 X 3/8 SSS	2		28373
10	GROMMET, .30ID X 1.25OD X .312	2		23391
11	NUT, ESN, 1/4-20 THIN, SST	2		13339
12	PARALLEL ARM ASSY, LOWER	REF	S/K20XX	38748
12A *	PARALLEL ARM ASSY, LOWER	REF	S/K50XX	38745
12B *	PARALLEL ARM ASSY, LOWER	REF	S/K55XX	39915
13	ARM ASSY, UPPER, PARALELL (GREY)	REF	S/K20XX	VT-AC-250
		REF	S/K50XX	
13A *	ARM ASSY, TOP	REF	S/K55XX	30858
	ATTACHING PARTS			
14	KIT, CAM, W/HARDWARE	1		42036
15	SPRING, TOP ARM	2		V2-SP-97
16A *	KIT, KICK-OUT SPRING	2	S2010	01115
16B *		2	S50XX	
16C *		2	S55XX	
16D *	KIT, KICK-OUT SPRING (SPLIT PLATFORMS ONLY)	2		
17	CAM ASSY, IRS ACTUATOR	2		V2-AC-190
	ATTACHING PARTS			
18	KIT, IRS SPACER	2		01224
19	PIN, SNAP RING, .38D X 3.09L	2		VS-PI-09
20	SNAP RING 3/8" (BAG OF 10)	1		11795
21	BRACKET, PULLEY MOUNT, IRS	2		V2-AC-112

**CONTINUED**

**NOTE:** (REF) in QTY column is for Referenced Parts Only and are not sold as spare parts.

**NOTE:** \* Item or configuration not shown.

**FIGURE 4-6: S/K-SERIES DOT PUBLIC USE TRAVELING FRAME ASSY**

FIG. ITEM	DESCRIPTION	QTY	CONFIG.	PART NO.
	ATTACHING PARTS			
22	BUMPER, IRS CAM ANTI-RATTLE	2		V2-BU-090
23	SCREW, BHS, 1/4-20 X 2 1/4, SST, BLK OXDE (BAG OF 10)	1		19720
24	WASHER, FDR, .281 X 1.00 X .065 (BAG OF 10)	1		25623
25	NUT, ESN, 1/4-20 (BAG OF 10)	1		15919
26	BEARING, GROOVED (SHEAVE)	6		VS-AH-06
	ATTACHING PARTS			
27	SCREW, HEX, 1/4-20 X 3/4 GR5 (BAG OF 10)	1		13308
28	BUSHING, STEEL, .25ID X .32OD X .19L	2		V2-BU-003
29	SCREW, BHS, 1/4-20 X 1 SST, BLK OXIDE (BAG OF 10)	1		19715
30	WASHER, FLT, .281 X .625 X .065 (BAG OF 10)	1		17504
31	NUT, ESN, 1/4-20 THIN, SST	2		283096
32	CABLE ASSY, W/SLEEVE, IRS, 52.75"	2		V2-AC-89
33	CAP, END, UPPER PARALLEL ARM, PLASTIC	2		V2-AC-89
34	RIVET, POP, 3/16 X 5/8 STL SD68BS (BAG OF 10)	1		34519
35	BLOCK, SUPPORT, LOCK ROD	1		36587
	ATTACHING PARTS			
36	SCREW, BHS, 1/4-20 X 1/2 BLK (BAG OF 10)	1		15985
37	LATCH WLDT, RELEASE, 34" PLATFORM	1		38437
38	BLOCK, MOUNT, BASE LATCH	1		V2-AC-001
39	SWITCH ASSY, BP LOAD SENSOR	1		35781
40	RIVET, 3/16 STRUCTURAL, BLIND (BAG OF 10)	1		22021
40	HARNESS, EXTENSION, TX MINIFIT MOD	2		37389
41	HARNESS, EXTENSION, RX MINIFIT MOD	2		37390
42	KIT, TWS COVER, S&K	1		39979
	ATTACHING PARTS			
43	SCREW, HWH, 5/16-18D X 1/2	2		282155
44	GUIDE BLOCK, INNER ROLLSTOP	2		34343
	ATTACHING PARTS			
45	RIVET, POP, 3/16 X 29/32 STL	REF		14-33-510
46	SPACER, CABLE OR HOSE, PANDUIT	2		25557
47	SHAFT, MAIN 1.00 X 40.5L	1		16607
48	SHIM, PVC SPACER	2		V2-BU-091
49	SET, PINCH POINT SHIELDS (P/N S21XX-XXXXXXXX0X)	1	S/K20XX	S21XX-
49A *	SET, PINCH POINT SHIELDS (P/N S50XX-XXXXXXXX0X)	1	S/K50XX	S50XX-
49B *			S/K55XX	
50	SCREW, PHP, 10-24 X 1/2 (BAG OF 10)	1		13304

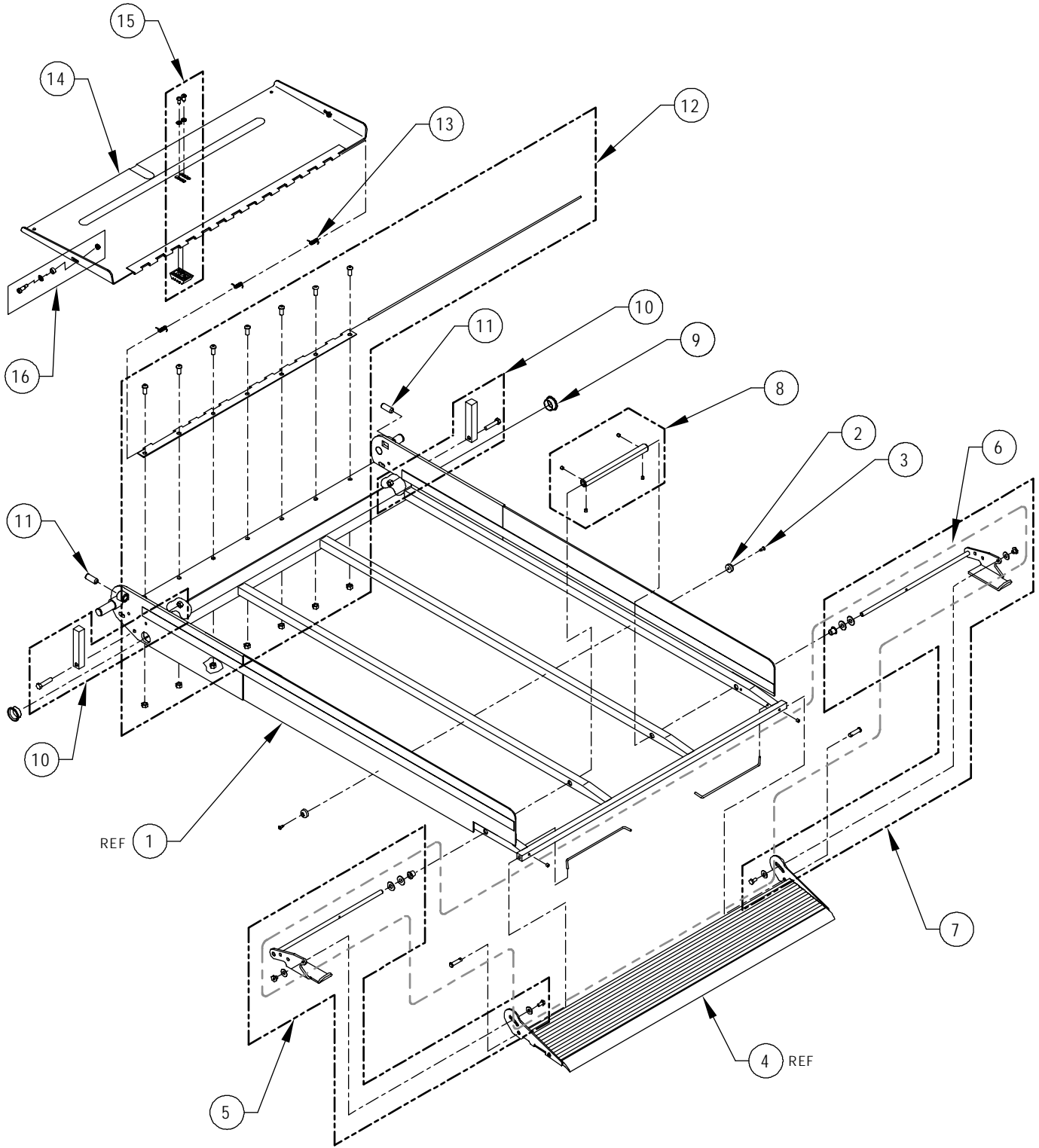
**CONTINUED****NOTE:** (REF) in QTY column is for Referenced Parts Only and are not sold as spare parts.**NOTE:** \* Item or configuration not shown.

**FIGURE 4-6: S/K-SERIES DOT PUBLIC USE TRAVELING FRAME ASSY**

FIG. ITEM	DESCRIPTION	QTY	CONFIG.	PART NO.
50	SCREW, PHP, 10-24 X ½ (BAG OF 10)	1		13304
51	NUT, SPRING, 10-24 U TYPE (BAG OF 10)	1		11799
52	COVER, STOWLOCK, MODULAR ATTACHING PARTS	1		36588
53	SCREW, PHP, 1/4-20, TAP TITE, BLK ZINC	2		37787
54	SOLENOID ASSY, 12V, STO-LOCK	1		10019
55	SPRING, STO-LOC RELEASE	1		V2-SP-093
56	CLIP, SPRING, BASE LATCH, SST	1		V2-AC-009
57	ROLLPIN, 1/8" X 1 1/4"	1		31648
58	HOOK, STOWLOCK ATTACHING PARTS	1		37707
59	SCREW, PHP, 10-24 X 1/2" TRS	1		28111T
60	KIT, BRKTS W/CAM FOLLOWER	1	K20XX	31247
61	KIT, GAS SPRING ASSY, TRAVELING FRAME	1	K20XX	19318

**NOTE:** (REF) in QTY column is for Referenced Parts Only and are not sold as spare parts.

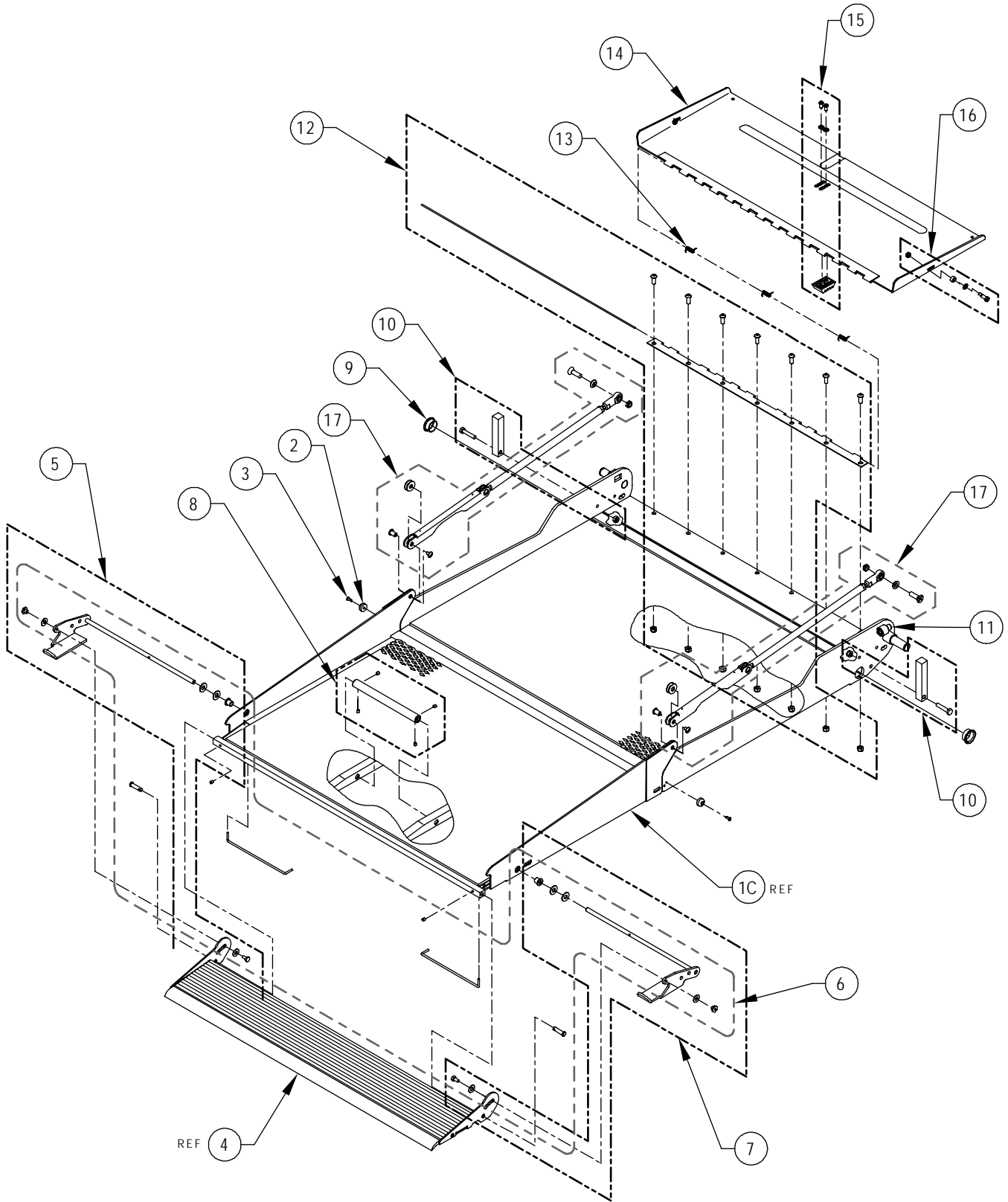
**NOTE:** \* Item or configuration not shown.



NOTE: S-SERIES PLATFORM SHOWN

RSM0000600

FIGURE 4-7.1: S-SERIES DOT PUBLIC USE PLATFORM ASSEMBLY



NOTE: K-SERIES PLATFORM SHOWN

RSM0006900

FIGURE 4-7.2: K-SERIES DOT PUBLIC USE PLATFORM ASSEMBLY

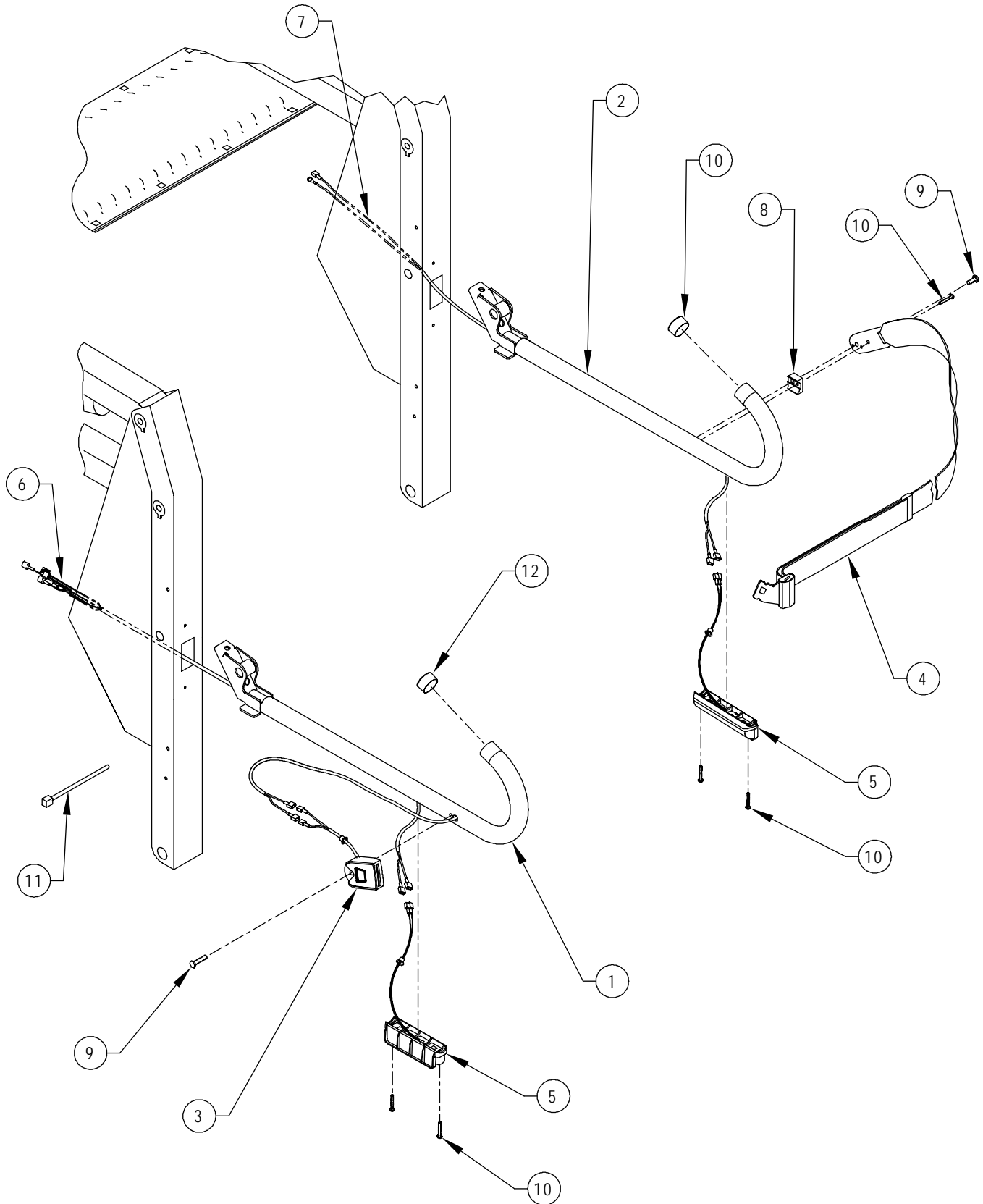
This page intentionally left blank.

FIGURE 4-7: S/K-SERIES DOT PUBLIC USE PLATFORM ASSY

FIG. ITEM	DESCRIPTION	QTY	CONFIG.	PART NO.
1	PLATFORM WLDT, SOLID (34" X 54") GREY	REF	S2010	38332
1A *	PLATFORM WLDT, SOLID (34" X 54") GREY	REF	S50XX	38332
1B *	PLATFORM WLDT, SOLID (34" X 54") GREY	REF	S55XX	39925
1C	PLATFORM WLDT, SOLID (34" X 54") GREY	REF	K2010	30871
2	BUMPER, UHMW, .75D X .38T	2		V2-AC-027
	ATTACHING PARTS			
3	SCREW, PHP, 8 TEK X 1/2 (BAG OF 10)	1		15961
4	ROLLSTOP ASSY, 6"H X 34"W	REF		39953
	ATTACHING PARTS	1		V2-FL-93
5	KIT, REPLACEMENT, ROLLSTOP ACTUATOR, LH	1		22903
6	KIT, REPLACEMENT, ROLLSTOP ACTUATOR, RH	1		22902
7	KIT, HARDWARE, ROLLSTOPS	1		110011
8	KIT, COLLAR ROLLSTOP ACTUATOR, 8.25", W/HARDWARE	1		28773
9	KIT, FLANGE BEARING 1"ID (BAG OF 10)	1		19579
10	BLOCK, GREY, PLATFORM LEVEL ADJ	2		V2-AH-142
11	SCREW, HSS, 1/2-20 X 1 1/4 W/NYLOK	2		14403
12	KIT, HINGE, PLATFORM (GREY)	1		32107
13	SPRING, BRIDGEPLATE	3		25463
14	ROLLSTOP WLDT, INNER, 34" (YELLOW WRINKLE)	1	S2010	32472
15	BLOCK, BASE LATCH, RATCHET	1		36576
16	KIT, SPACER, BRIDGEPLATE	2		42038
17	KIT, LINK ASSY, FRONT & REAR, YELLOW	2	K20XX	34523
		2	K55XX	

**NOTE:** (REF) in QTY column is for Referenced Parts Only and are not sold as spare parts.

**NOTE:** \* Item or configuration not shown.



RSM0000700

FIGURE 4-8: S/K-SERIES DOT PUBLIC USE HANDRAILS

FIGURE 4-8: S/K-SERIES DOT PUBLIC USE HANDRAILS ASSY

FIG. ITEM	DESCRIPTION	QTY	CONFIG.	PART NO.
1	HANDRAIL WLDT, LH (YELLOW)	1		35791
2	HANDRAIL WLDT, RH (YELLOW)	1		35790
3	KIT, BUCKLE ASSY, W/SWITCH & HARDWARE	1		22017
4	STRAP ASSY, STRAIGHT SLIDER	1		37976
5	LIGHT ASSY, PLATFORM	2		32478
6	HARNESS, BELT & HANDRAIL LIGHT	1		37348
7	HARNESS, HANDRAIL LIGHT	1		37346
	ATTACHING PARTS			
8	SPACER, TRANSIT HANDRAIL	1		V2-AC-063
9	SCREW, HEX, 5/16-18 X 1 SST	2		282164
10	SCREW, PHP, 8TEK X 3/4 (BAG OF 10)	1		15911
11	CABLE TIE, 5.5" (NAT)	REF		25520
12	CAP, ROUND, BLK, CAPLUG MFG.NO. FCR-20	2		25550

**NOTE:** (REF) in QTY column is for Referenced Parts Only and are not sold as spare parts.

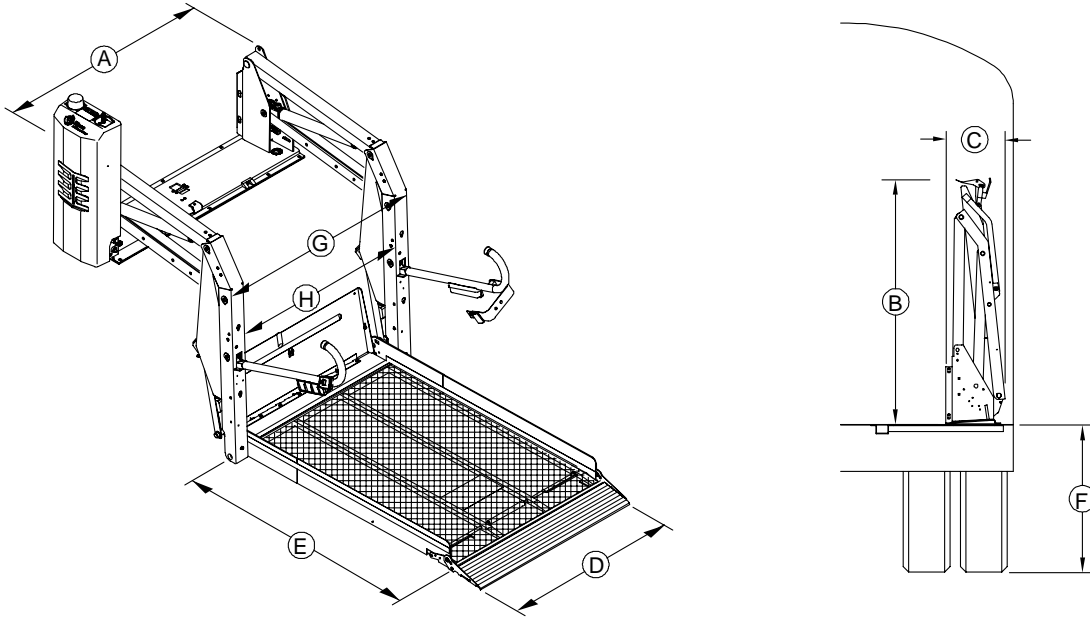
**NOTE:** \* Item or configuration not shown.

This page intentionally left blank.

APPENDIX 1

LIFT SPECIFICATIONS

S/K-SERIES PUBLIC USE WHEELCHAIR LIFT			
Power .....	electro-hydraulic	Rated load capacity, max .....	800 lbs
Motor rating@12 volts DC .....	65 amp avg/cycle, 1500 psi	Manual backup-up .....	hand pump
Motor rating@24 volts DC .....	32.5 amp avg/cycle, 1500 psi	Manual backup-down.....	pressure release valve
Hydraulic cylinders.....	2ea, 1.5", power up – gravity down	Lift weight.....	approx 340 - 370 lbs



RSM0000800

DIMENSIONS (inches/millimeters)

MODEL	A	B	C	D	E	F	G	H
	Stationary frame width	Height (folded)	Installation depth (folded)	Usable platform width	Usable platform length	Floor-to-ground travel	Traveling frame width	Clear entry width
S2005	47 / 1194	55 / 1397	14 / 356	32 / 813	51 / 1295	42 / 1067	40 / 1016	32 / 813
S2010	49 / 1245	55 / 1397	14 / 356	34 / 864	54 / 1372	42 / 1067	42 / 1067	34 / 864
S5005	47 / 1194	58 / 1473	14 / 356	32 / 813	51 / 1295	48 / 1219	40 / 1016	32 / 813
S5010	49 / 1245	58 / 1473	14 / 356	34 / 864	54 / 1372	48 / 1219	42 / 1067	34 / 864
S5505	47 / 1194	58 / 1473	14 / 356	32 / 813	51 / 1295	51 / 1295	40 / 1016	32 / 813
S5510	49 / 1245	58 / 1473	14 / 356	34 / 864	54 / 1372	51 / 1295	42 / 1067	34 / 864
K2005	47 / 1194	55 / 1397	17 / 432	32 / 813	51 / 1295	37 / 940	40 / 1016	32 / 813
K2010	49 / 1245	55 / 1397	17 / 432	34 / 864	54 / 1372	37 / 940	42 / 1067	34 / 864
K5005	47 / 1194	58 / 1473	17 / 432	32 / 813	51 / 1295	43 / 1092	40 / 1016	32 / 813
K5010	49 / 1245	58 / 1473	17 / 432	34 / 864	54 / 1372	43 / 1092	42 / 1067	34 / 864
K5505	47 / 1194	58 / 1473	17 / 432	32 / 813	51 / 1295	48 / 1219	40 / 1016	32 / 813
K5510	49 / 1245	58 / 1473	17 / 432	34 / 864	54 / 1372	48 / 1219	42 / 1067	34 / 864

END OF TABLE

**NOTES:**